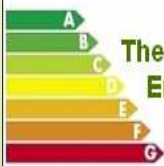




The Need to decrease!
production down time!!

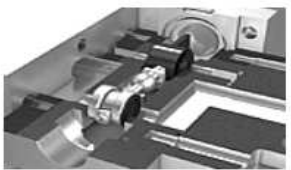
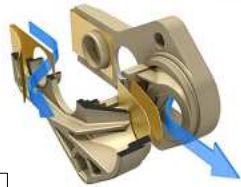


Smart design compared to
old types AODD Pumps

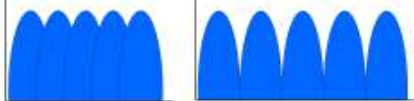


The NEED to lower
Energy costs!!

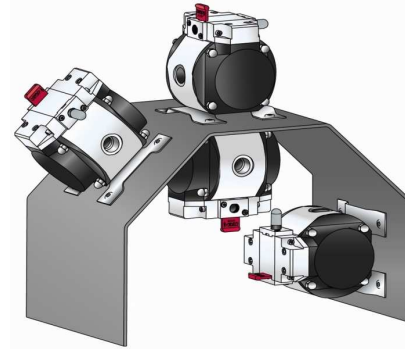
New! Flap valve technology



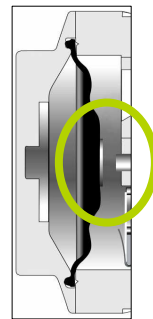
Stalling of Air motor!
No issue anymore



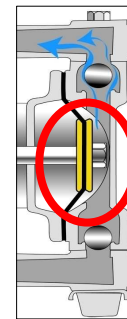
FDS** Technology
minimizes liquid pulsation



Operating in each position



AOFD**
Floating
Diaphragm



AODD
Fixed
Diaphragm

Albin Europe BV

Platinastraat 53-1
7554 NC Hengelo
Netherlands

Phone: +31 547 292 175
E-mail: info@albin-europe.com
www.albineurope.com



albinPump

THE NEW STANDARD

Air-Operated Diaphragm Pumps



AOFD** Technique
Low Energy Consumption
Easy Maintenance
Swedish Technology

albin-europe.com



Chemical Applications



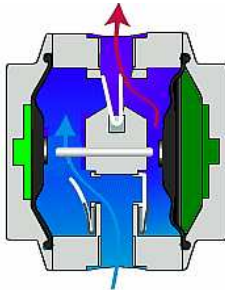
Printing Applications



Water & Waste Applications

albin AOFD** Pump

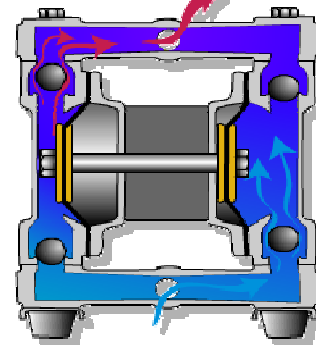
THE NEW STANDARD
Air-Operated Diaphragm Pumps



New! Type
AOFD** Pump

compared with

Old Type
AODD Pump



** Air-Operated Floating Diaphragm (Patented)

- Up to 35% lower! Air consumption
- Nearly NO! liquid pulsation (70% less)
- Stalling problems is NO! issue anymore (patented Air-valve)
- Smaller! dimensions of pump body
- Easy maintenance due to less! Parts
- By floating diaphragm suspension (patented) longer! life time
- Not! sensitive for solid particles in liquid by flap valve technology
- Standard use of latest "PEEK" and "PTFE" material technology



Food & Beverage Applications



Pharmaceutical Applications



Paint Applications