



# ALBIN PUMP ALP

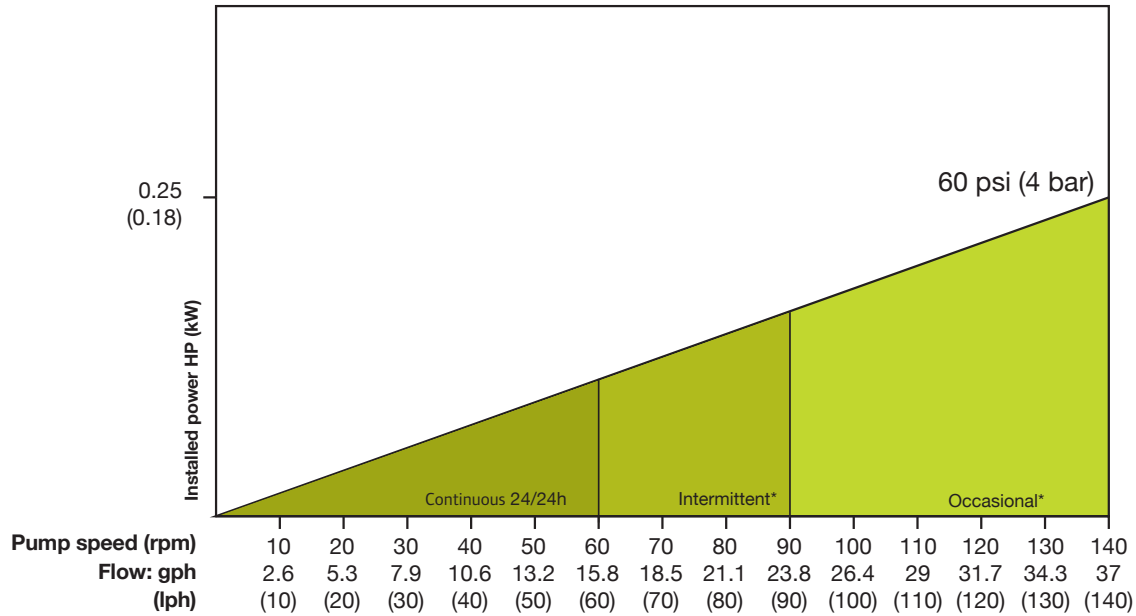
*Peristaltic Pumps / Technical Data Sheet*





# ALP09N

## Data Sheet



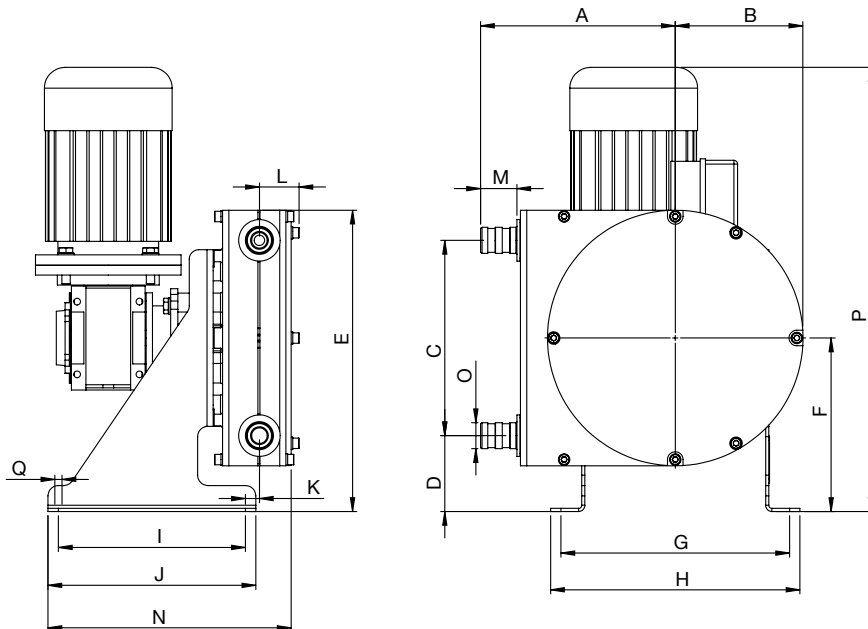
1 rpm = 0.2642 gph = 1.000 L/hr  
 1 rev = 0.0044 gal = 0.0167 L

Assembly Weight: 26 lbs / 12 kg

\*Intermittent use : minimum one hour stop after 2 hours run / \*Occasional use : maximum one hour a day

### DIMENSIONS

Inch (mm)



SIZE	A	B	C	D	E	F	G	H	I	J	K	L	M	N	ØO	P	ØQ
ALP09N-F *	5.2 (133)	3.5 (89)	5.2 (132)	2.4 (62)	8.5 (217)	5.0 (128)	6.5 (165)	7.2 (184)	6.1 (156)	6.9 (175)	0.5 (12)	1.2 (31)	0.9 (24)	8.1 (207)	0.6 (16*)	14.7 (374)	0.26 (6.60)
ALP09N-VM*	5.2 (133)	3.5 (89)	5.2 (132)	2.4 (62)	8.5 (217)	5.0 (128)	6.5 (165)	7.2 (184)	6.1 (156)	6.9 (175)	0.5 (12)	1.2 (31)	0.9 (24)	8.1 (207)	0.6 (16*)	19.3 (490)	0.26 (6.60)

\* Hose barb

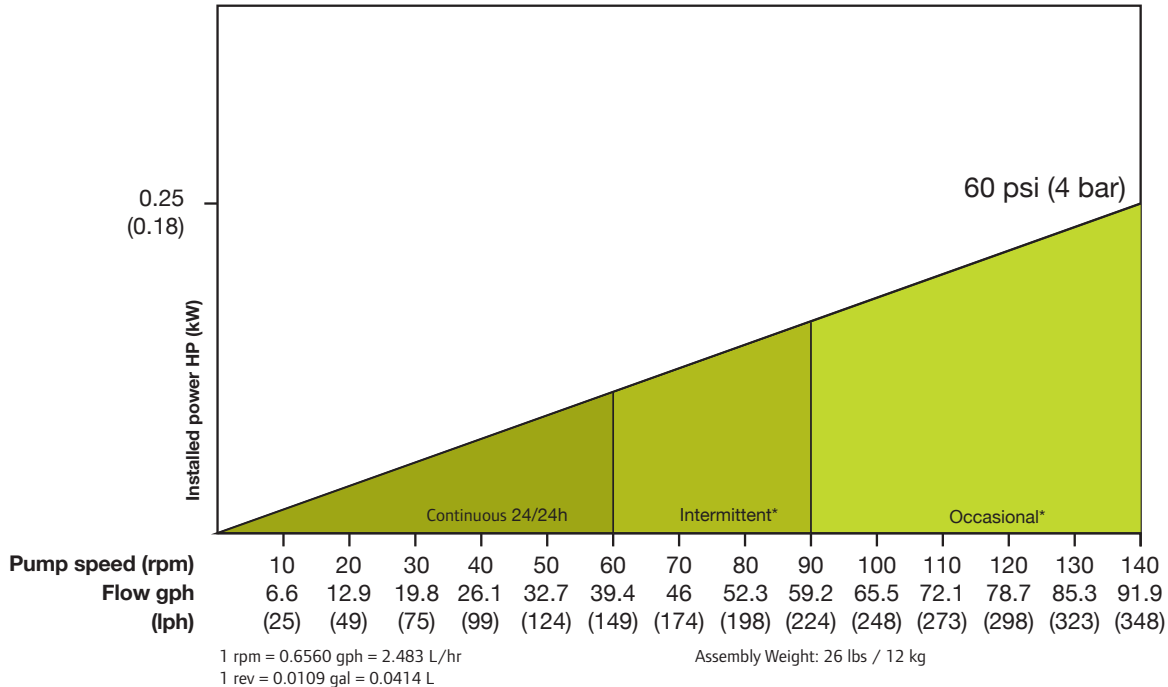
\* F = Fixed speed

\* VM = Mechanical speed variator



# ALP13N

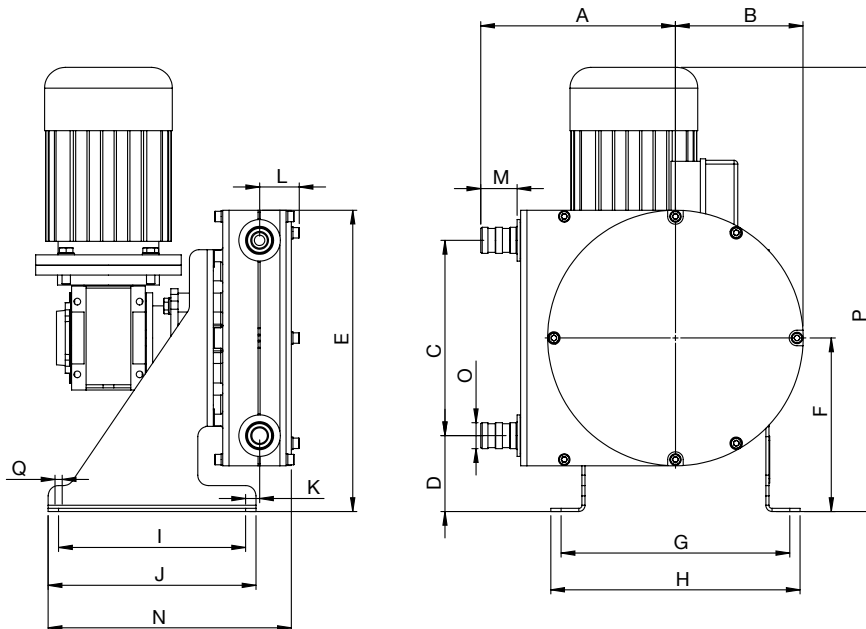
## Data Sheet



\*Intermittent use : minimum one hour stop after 2 hours run / \*Occasional use : maximum one hour a day

### DIMENSIONS

Inch (mm)



SIZE	A	B	C	D	E	F	G	H	I	J	K	L	M	N	ØO	P	ØQ
ALP13N-F*	5.2 (133)	3.5 (89)	5.2 (132)	2.4 (62)	8.5 (217)	5.0 (128)	6.5 (165)	7.2 (184)	6.1 (156)	6.9 (175)	0.5 (12)	1.2 (31)	0.9 (24)	8.1 (207)	0.6 (16*)	14.7 (374)	0.26 (6.60)
ALP13N-VM*	5.2 (133)	3.5 (89)	5.2 (132)	2.4 (62)	8.5 (217)	5.0 (128)	6.5 (165)	7.2 (184)	6.1 (156)	6.9 (175)	0.5 (12)	1.2 (31)	0.9 (24)	8.1 (207)	0.6 (16*)	19.3 (490)	0.26 (6.60)

\* Hose barb

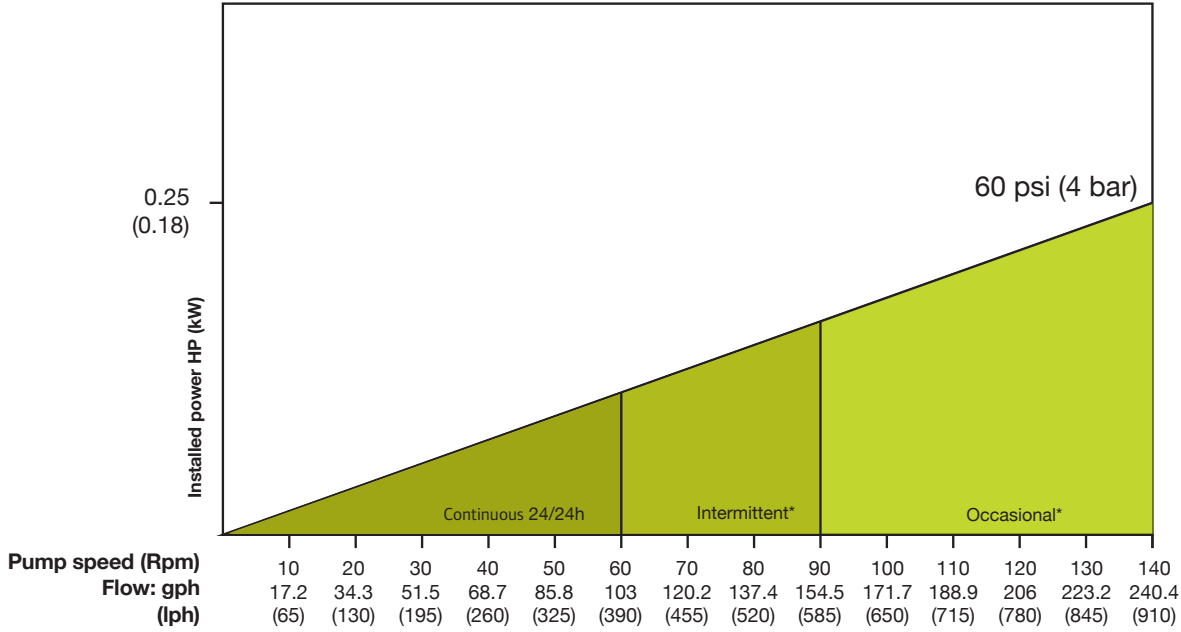
\* F = Fixed speed

\* VM = Mechanical speed variator



# ALP17N

## Data Sheet



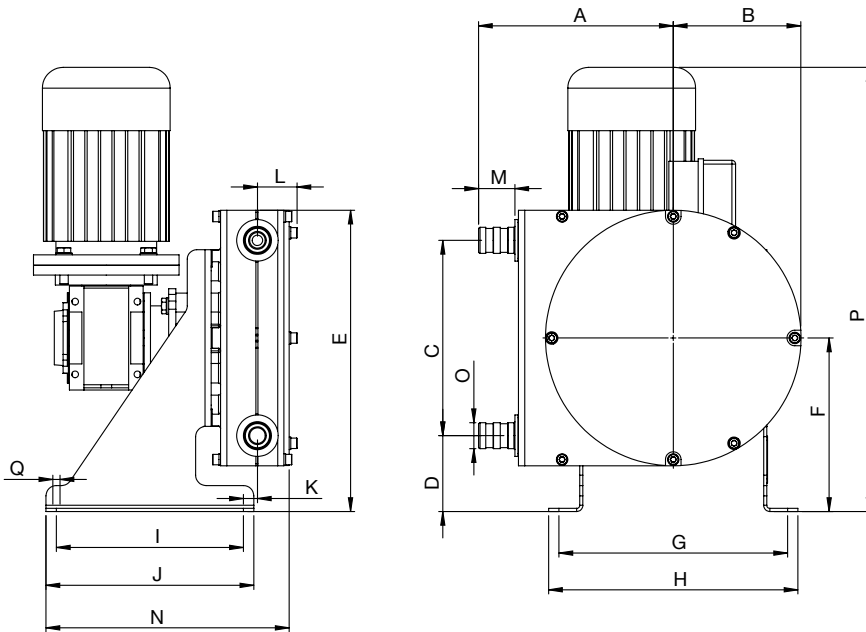
1 rpm = 1.7171 gph = 6.500 L/hr  
 1 rev = 0.0286 gal = 0.1083 L

Assembly Weight: 33 lbs / 15 kg

\*Intermittent use : minimum one hour stop after 2 hours run / \*Occasional use : maximum one hour a day

### DIMENSIONS

Inch (mm)

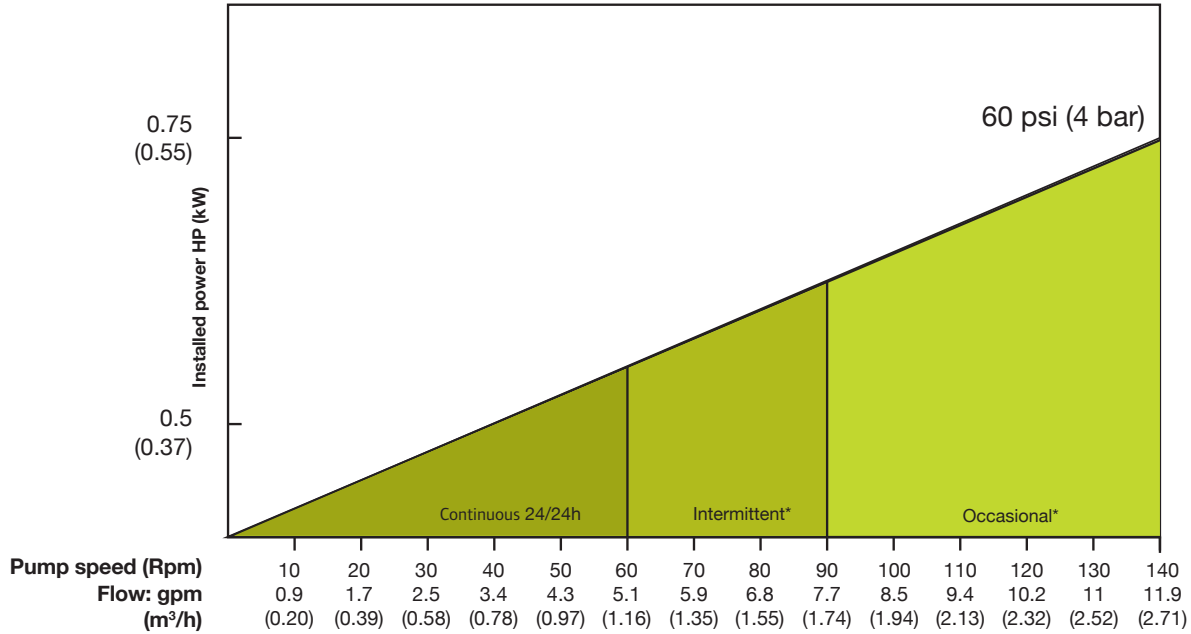


SIZE	A	B	C	D	E	F	G	H	I	J	K	L	M	N	ØO	P	ØQ
ALP17N-F*	7.4 (187)	4.8 (123)	7.4 (188)	2.9 (73)	11.4 (290)	6.6 (167)	8.7 (220)	9.4 (240)	7.0 (180)	7.9 (200)	0.5 (14)	1.5 (38)	1.4 (35)	9.2 (234)	1.0 (25*)	16.5 (428)	0.3 (7)
ALP17N-VM*	7.4 (187)	4.8 (123)	7.4 (188)	2.9 (73)	11.4 (290)	6.6 (167)	8.7 (220)	9.4 (240)	7.0 (180)	7.9 (200)	0.5 (14)	1.5 (38)	1.4 (35)	9.2 (234)	1.0 (25*)	21.4 (543)	0.3 (7)



# ALP25N

## Data Sheet



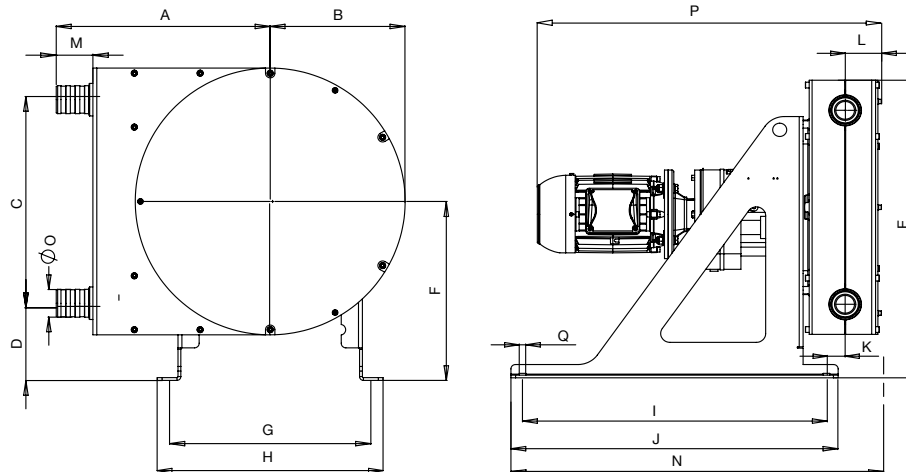
1 rpm = 0.0852 gpm = 0.0193 m<sup>3</sup>/hr  
 1 rev = 0.0852 gal = 0.3224 L

Assembly Weight: 121 lbs / 55 kg

\*Intermittent use : minimum one hour stop after 2 hours run / \*Occasional use : maximum one hour a day

### DIMENSIONS

Inch (mm)



SIZE	A	B	C	D	E	F	G	H	I	J	K	L	M	N	ØO	P	ØQ
ALP25N-F*	10.8 (275)	6.5 (165)	10.0 (256)	3.5 (90)	15.0 (383)	8.6 (218)	9.4 (240)	10.6 (270)	15.7 (400)	17.3 (440)	0.70 (18)	1.9 (49)	1.9 (48)	19 (482)	1.5 (38*)	23.81 (605)	0.4 (11)
ALP25N-VM*	10.8 (275)	6.5 (165)	10.0 (256)	3.5 (90)	15.0 (383)	8.6 (218)	9.4 (240)	10.6 (270)	15.7 (400)	17.3 (440)	0.70 (18)	1.9 (49)	1.9 (48)	19 (482)	1.5 (38*)	27.4 (695)	0.4 (11)

\* Hose barb

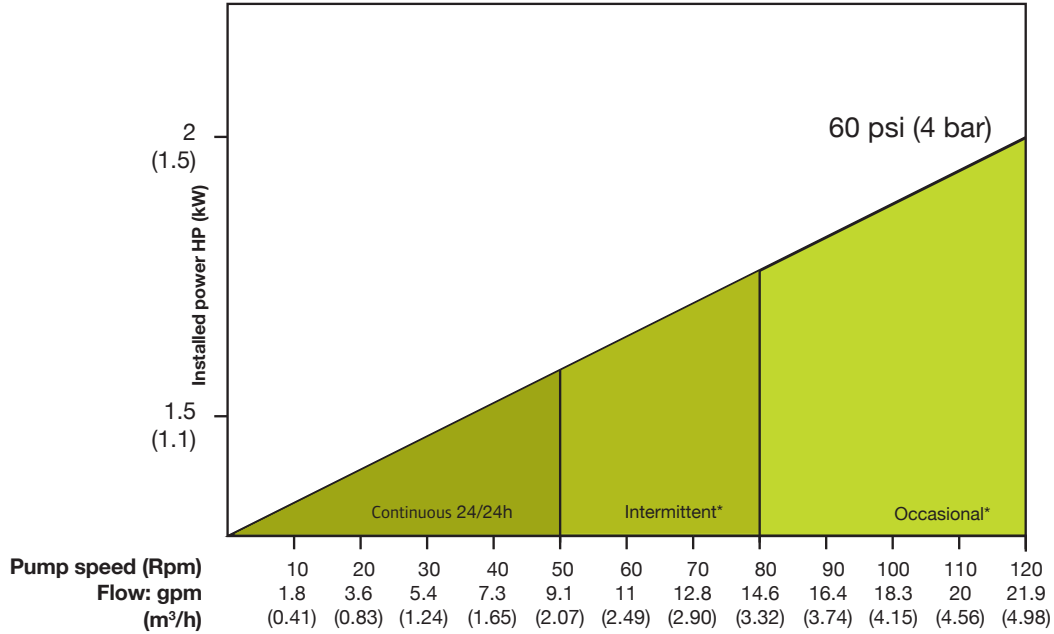
\* F = Fixed speed

\* VM = Mechanical speed variator



# ALP30N

## Data Sheet



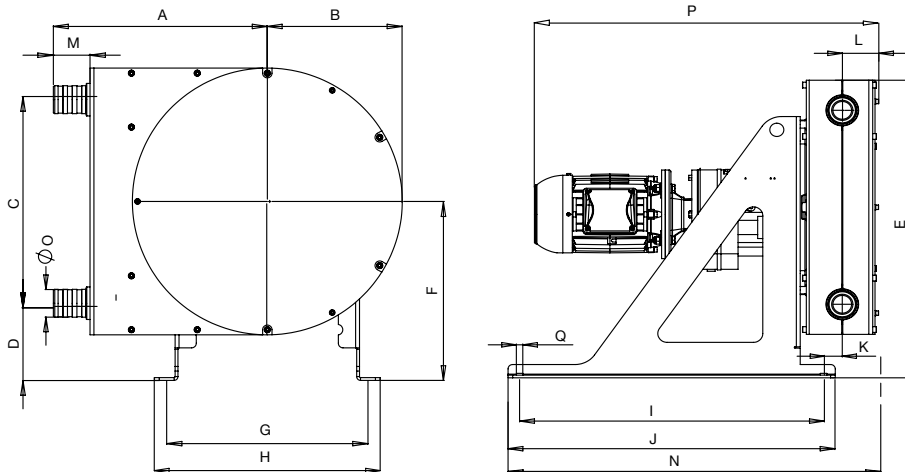
1 rpm = 0.1827 gpm = 0.0415 m³/hr  
 1 rev = 0.1827 gal = 0.6917 L

Assembly Weight: 209 lbs / 95 kg

\*Intermittent use : minimum one hour stop after 2 hours run / \*Occasional use : maximum one hour a day

### DIMENSIONS

Inch (mm)



SIZE	A	B	C	D	E	F	G	H	I	J	K	L	M	N	ØO	P	ØQ
ALP30N-F*	13.7 (348)	8.9 (226)	13.9 (354)	6.0 (153)	21.9 (557)	12.5 (319)	13.0 (330)	15.2 (386)	21.6 (550)	23.2 (590)	0.9 (23)	2.3 (58)	2.4 (60)	25.6 (651)	1.8 (45*)	27.0 (685)	0.5 (14)
ALP30N-VM*	13.7 (348)	8.9 (226)	13.9 (354)	6.0 (153)	21.9 (557)	12.5 (319)	13.0 (330)	15.2 (386)	21.6 (550)	23.2 (590)	0.9 (23)	2.3 (58)	2.4 (60)	25.6 (651)	1.8 (45*)	31.3 (795)	0.5 (14)

\* Hose barb

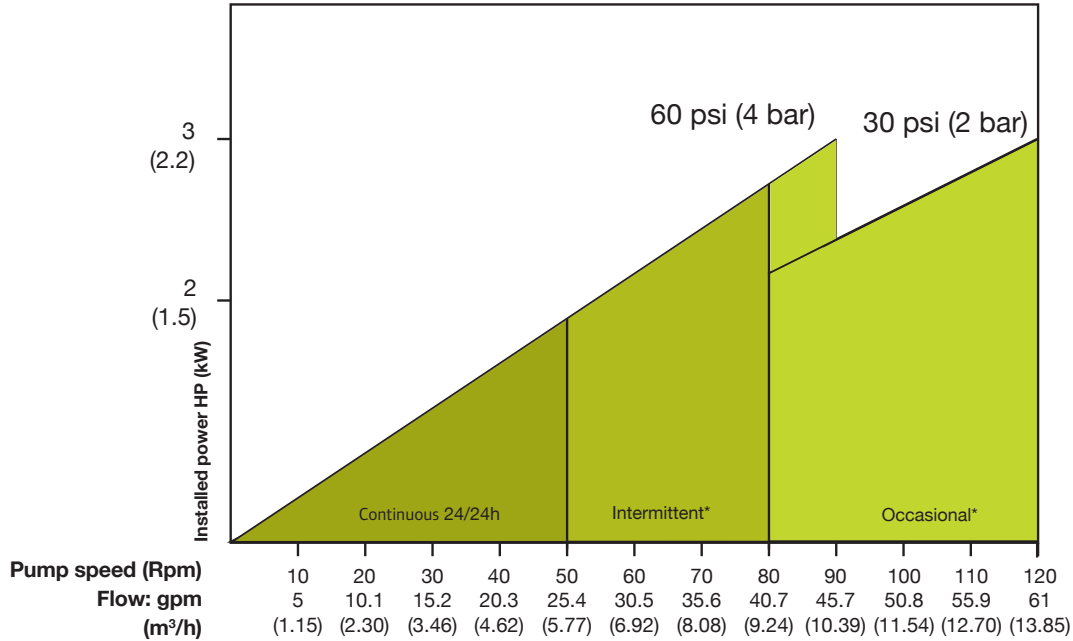
\* F = Fixed speed

\* VM = Mechanical speed variator



# ALP45N

## Data Sheet



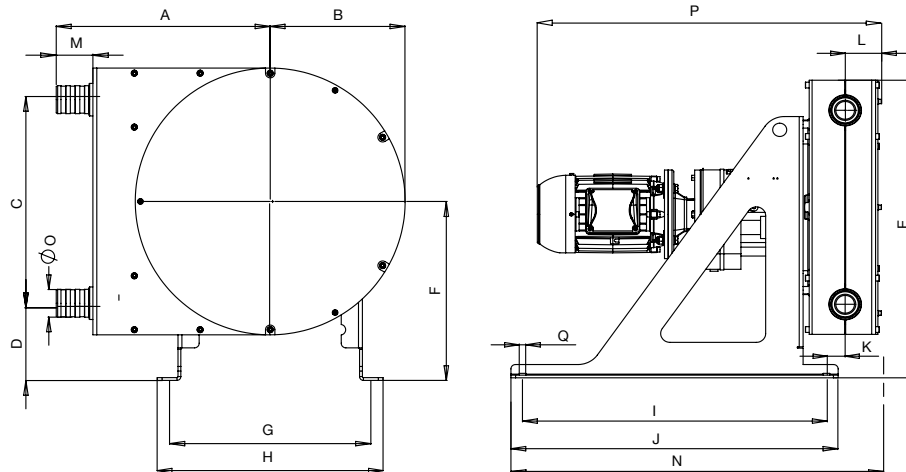
1 rpm = 0.5081 gpm = 0.1154 m<sup>3</sup>/hr  
 1 rev = 0.5081 gal = 1.9233 L

Assembly Weight: 342 lbs / 155 kg

\*Intermittent use : minimum one hour stop after 2 hours run / \*Occasional use : maximum one hour a day

### DIMENSIONS

Inch (mm)



SIZE	A	B	C	D	E	F	G	H	I	J	K	L	M	N	ØO	P	ØQ
ALP45N-F*	17.9 (455)	11.3 (287)	17.2 (438)	6.5 (166)	26.4 (672)	15.1 (385)	16.5 (420)	18.9 (480)	26.6 (650)	27.5 (700)	1.6 (41)	3.0 (78)	3.0 (78)	31.2 (793)	2.4 (60*)	29.0 (736)	0.5 (14)
ALP45N-VM*	17.9 (455)	11.3 (287)	17.2 (438)	6.5 (166)	26.4 (672)	15.1 (385)	16.5 (420)	18.9 (480)	26.6 (650)	27.5 (700)	1.6 (41)	3.0 (78)	3.0 (78)	31.0 (788)	2.4 (60*)	33.3 (847)	0.5 (14)

\* Hose barb

\* F = Fixed speed

\* VM = Mechanical speed variator

Distributed by:

[www.albinpump.com](http://www.albinpump.com)

[albinpump@irco.com](mailto:albinpump@irco.com)



## About Ingersoll Rand Inc.

Albin Pump is a brand of Ingersoll Rand and part of the Precision and Science Technologies (PST) business segment. PST consists of a portfolio of complementary, mission critical brands such as Milton Roy®, ARO®, LMI®, Albin Pump, Thomas®, Welch®, Haskel®, Dosatron®, YZ®, Williams®, MP® and Oberdorfer®.

At PST, we deliver solutions for precision dosing and transfer of high value fluids in various markets such as medical, food and beverage, water and hydrogen. For more information, visit [www.IRco.com](http://www.IRco.com).

We are committed to using environmentally conscious print practices

©2021 Ingersoll Rand  
IRITS-0221-004 EN